

TECHMAN ROBOT USA

Height of Pedestal Can Be Cut for Your Specific Application

Made of high quality Aluminum for Maximum Durability.



Universal Mounting Bracket designed to fit all TechMan CoBots

Heavy Duty 360° Leveling Casters with Adjustable Pads for Easy Mobility and fixed mounting pads while in use.

Mobile CoBot Pedestal

- Flexible Deployment
- Small Footprint
- Affordable
- Manufactured in USA

\$1,995 (alone)
\$1,795 (with CoBot)

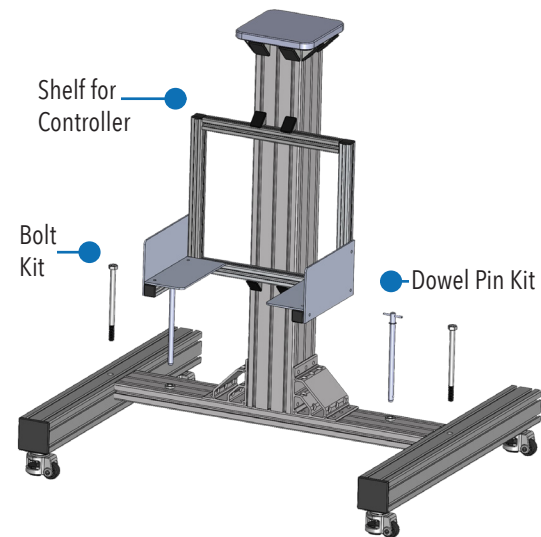
Flexible. Mobile. Affordable.

Quickly deploy TechMan CoBots to maximize investment.

TechMan Robot USA's Mobile Pedestal is designed to offer maximum deployment flexibility for your TechMan Cobot. Made of high-quality aluminum and featuring heavy-duty 360° casters makes this stand ideal for environments that require CoBots to work at different stations or to switch applications often.

The system's ergonomic design, made specifically for the TM5/TM12/TM14, paired with its small footprint, makes it easy for one person to move the base from one location to another. Portability, combined with the unique vision capabilities of the TM Cobots, makes it simple for users to quickly deploy their Cobot to initiate a new task.

Customizable to meet your specific requirements, the base of the pedestal also features a shelf to house the robot controller and pendant arm for ease of mobility. Priced at a fraction of the cost of competitive pedestals, our system offers small to medium-sized facilities ultimate flexibility and maximum return on investment.



Accessories

- Controller Shelf (Additional \$160)
- Pendant Arms
- Floor Mounting Bolts (Additional \$50) & Dowel Kit (Additional \$150)

| | |
|--------|-----------------|
| Depth | 32 inches |
| Width | 38.3 inches |
| Height | 42.4 inches |
| Weight | 70 lbs. |
| Robot | TM5, TM12, TM14 |